

WHEN DISASSEMBLING ALUMINUM EXTRUSION, TIGHTEN ALL SETSCREWS AND LOCKS TO PREVENT LOSS DURING SHIPPING

visionary™ IDESIGNS

Using Your Setup Instructions

The Visionary Designs Setup Instructions are created specifically for your configuration. They are laid out sequentially, including an exploded view of the entire display, and then a logical series of detailed steps to assemble the main structure and components. We encourage you to study the instructions **before** attempting to assemble your exhibit.

Each page reminds you to tighten the setscrews after disassembling your exhibit to prevent loss of the locks and setscrews (see below in RED). This is **VERY IMPORTANT**.

Cleaning and Packing Your Display

- 1) Use care when cleaning aluminum extrusion or acrylic inserts. Use only non-abrasive cleaners.
- 2) When cleaning laminate inserts or countertops, use mild cleansers and a soft material such as cotton.
- 3) Keep all display components away from extreme heat and long exposure to sunlight to avoid warping and fading.
- 4) Retain all packing material. It will make re-packing much easier and will reduce the likelihood of shipping damage.



The Tool

Most Visionary Designs exhibits can be assembled with the supplied Hex Key Tool. Occasionally, a flat head screwdriver may be required.

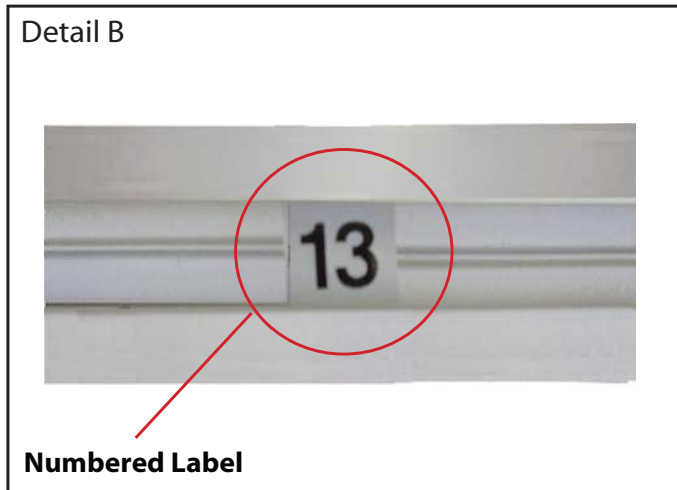


Typical Connection

Most horizontal extrusion connections have a patented expandable lock. This lock inserts into the groove of an opposing extrusion. Tightening the lock with the Hex Key Tool expands the lock and creates a strong positive connection.



Typical Connection (cont'd)



Detail B

Numbered Label

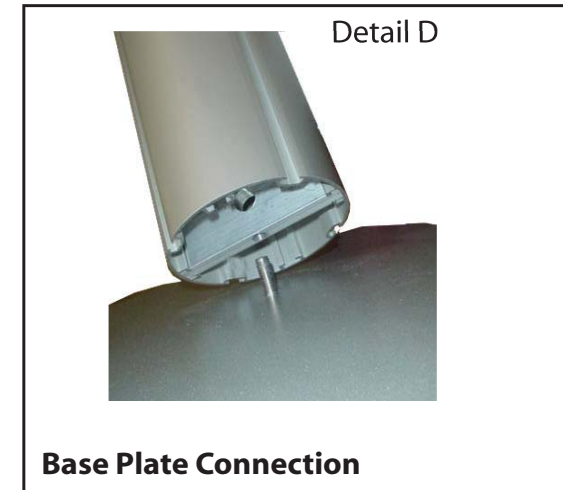
Each extrusion contains a numbered label which corresponds with setup instructions. The label is located within a groove of the extrusion (when possible). With Visionary Designs the labels contain Black numbers unless otherwise specified.



Detail C

Horizontal Inline Connection (remove only one setscrew)

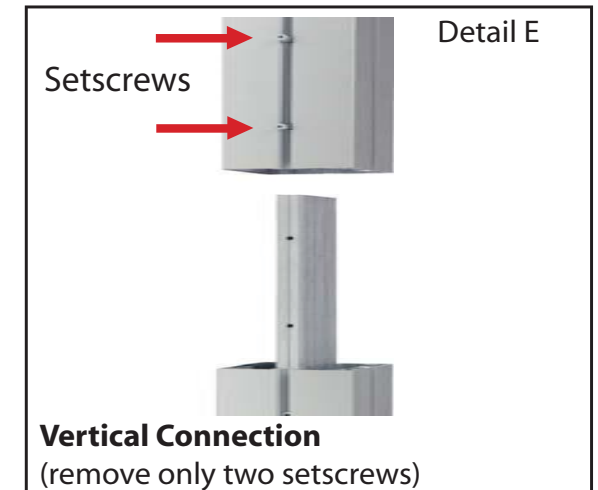
Remove only (1) setscrew when disassembling. Replace setscrew in extrusion after assembling it. Before packing, replace setscrew in extrusion to avoid losing it.



Detail D

Base Plate Connection

Attach base plate to round or square vertical extrusion using the bolt provided. Be careful not to strip the threads.



Detail E

Vertical Connection
(remove only two setscrews)

When vertical extrusions are packed in portable cases rather than crates or tubs, they must be broken down into smaller sections which then require assembly.

Remove only (2) setscrews when disassembling. Replace setscrews in extrusion after assembling it. Before packing, replace setscrews in extrusion to avoid losing them.

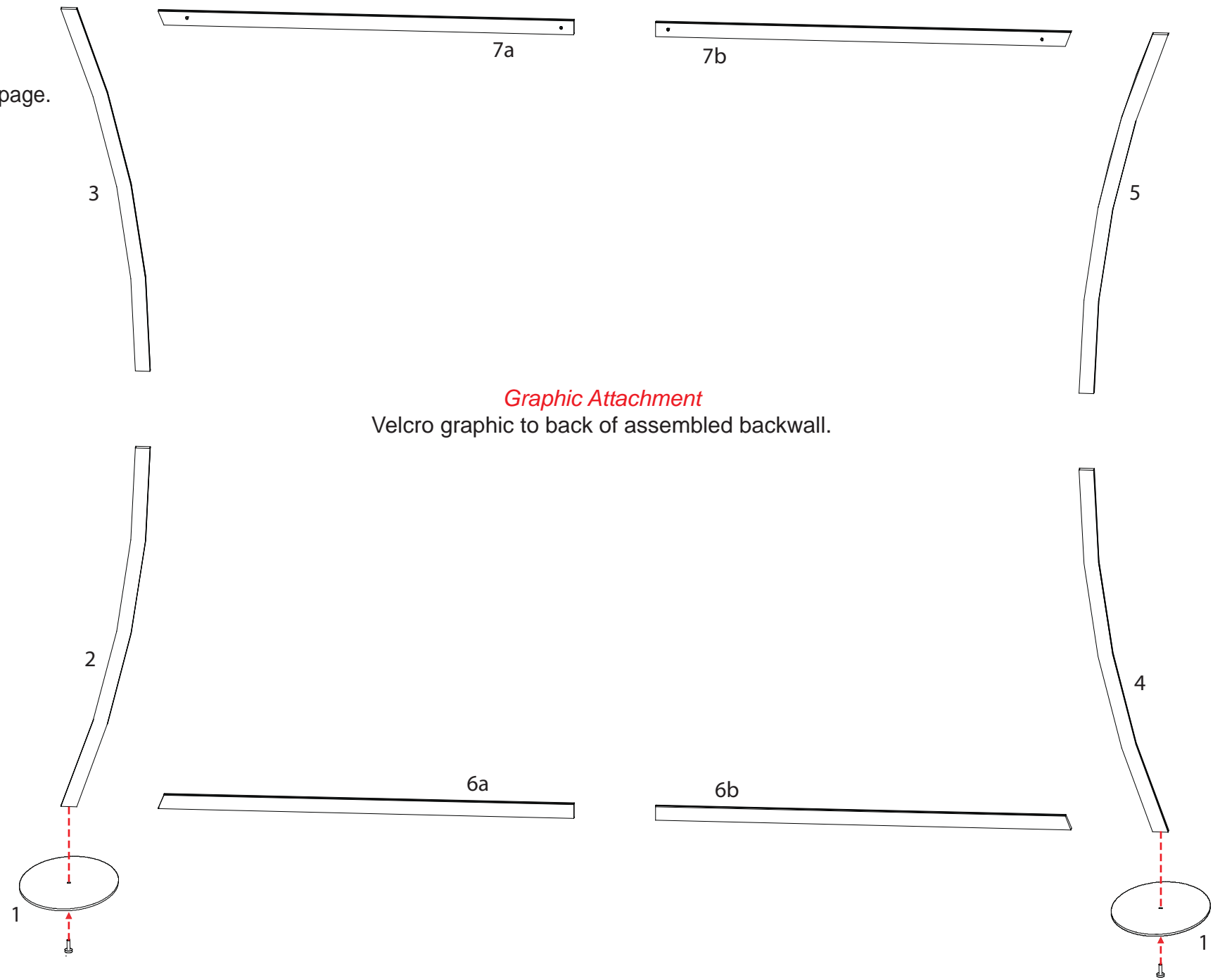
WHEN DISASSEMBLING ALUMINUM EXTRUSION, TIGHTEN ALL SETSCREWS AND LOCKS TO PREVENT LOSS DURING SHIPPING

866.652.2100

Part Number	Qty	Description
1	2	Base Plate w/ one hole
2	1	48.0501" h Lower Curved Vertical extrusion w/ Velcro Attach to Back of Extrusion
3	1	48.0501" h Upper Curved Vertical extrusion w/ Velcro Attach to Back of Extrusion
4	1	48.0501" h Lower Curved Vertical extrusion w/ Velcro Attach to Back of Extrusion
5	1	48.0501" h Upper Curved Vertical extrusion w/ Velcro Attach to Back of Extrusion
6a/6b	1/1	51" w Lower Horizontal Extrusion w/ Velcro Attach to Back of Extrusion
7a/7b	1/1	51" w Upper Horizontal Extrusion w/ Velcro Attach to Back of Extrusion

Steps

- 1) Attach lower vertical extrusions [2 and 4] to base plates [1], see detail D on general info page.
- 2) Attach upper vertical extrusions to lower vertical extrusions [3 to 2 and 5 to 4].
- 3) Connect horizontal extrusions together [6a to 6b and 7a to 7b].
- 4) Attach horizontal assemblies between vertical assemblies as shown.
- 4) Apply graphic to assembled backwall.



Graphic Attachment
Velcro graphic to back of assembled backwall.

WHEN DISASSEMBLING ALUMINUM EXTRUSION, TIGHTEN ALL SETSCREWS AND LOCKS TO PREVENT LOSS DURING SHIPPING

Wing Attachment

Slide A10 Clamp into groove of curved extrusion.



When desired location is found, tighten set screw to secure.

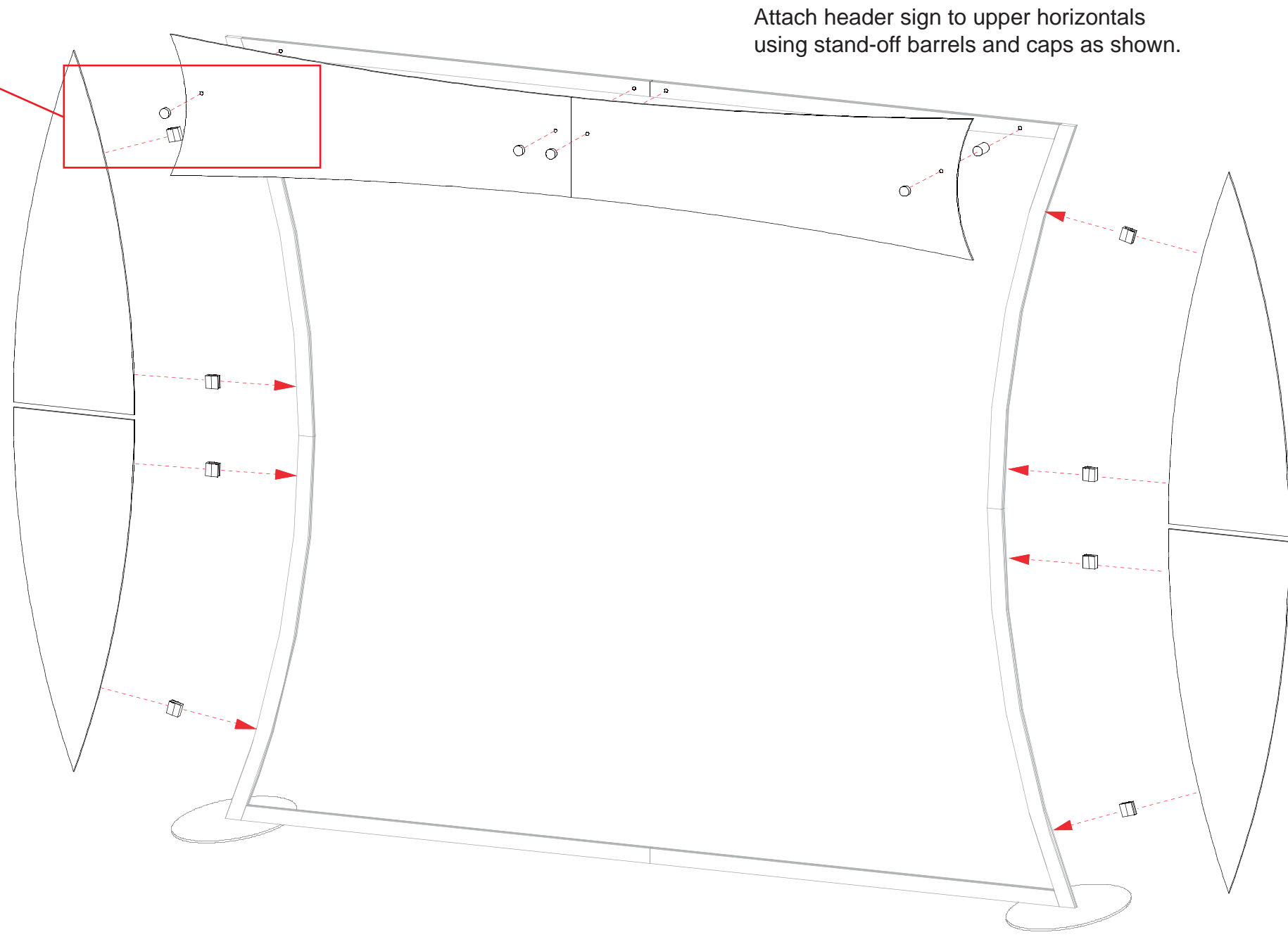


Set-Screw

Tighten black plastic set screw to secure Wing in place.



Black Plastic Set-screw



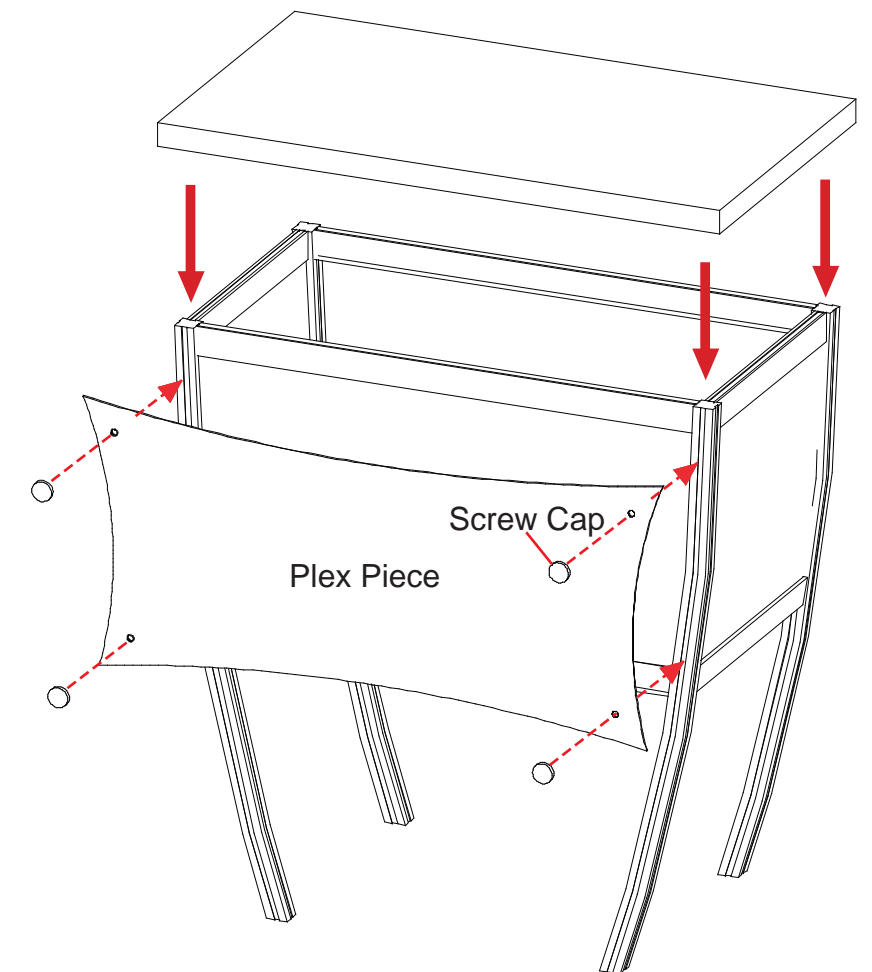
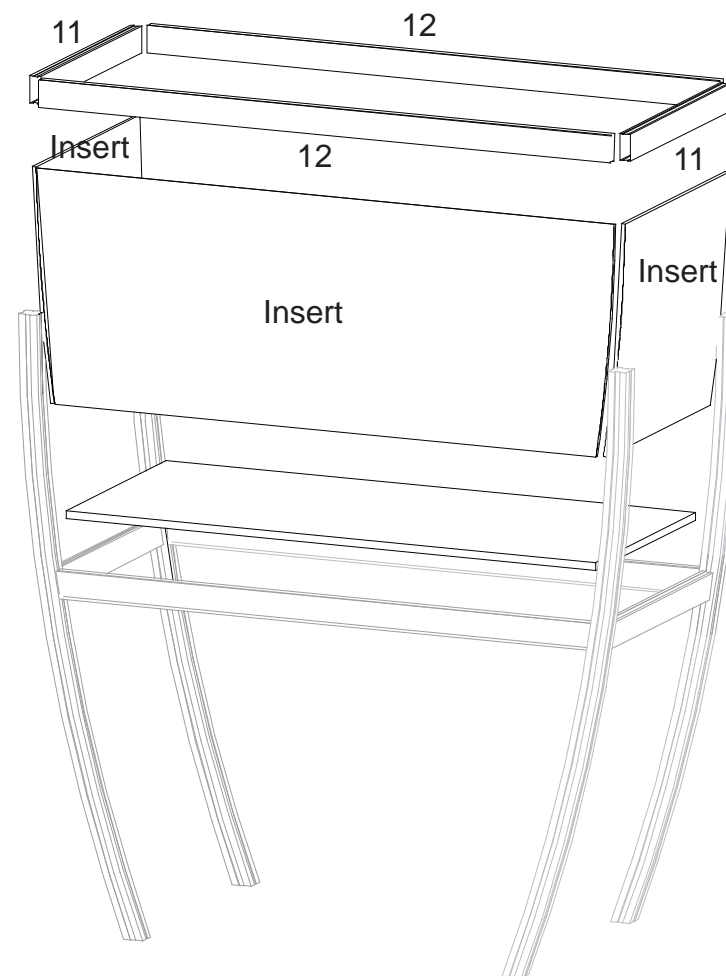
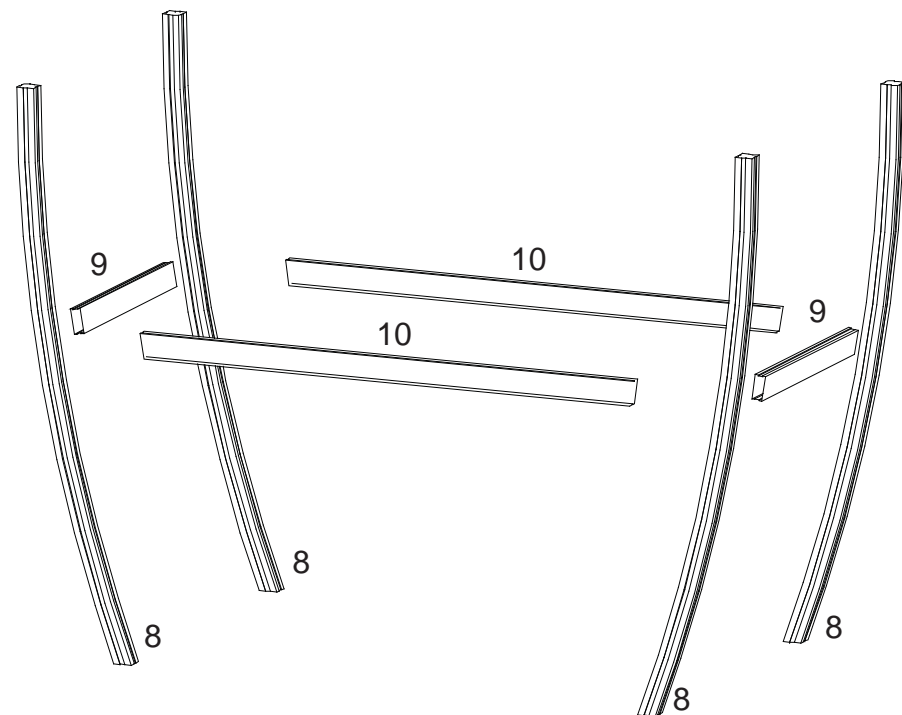
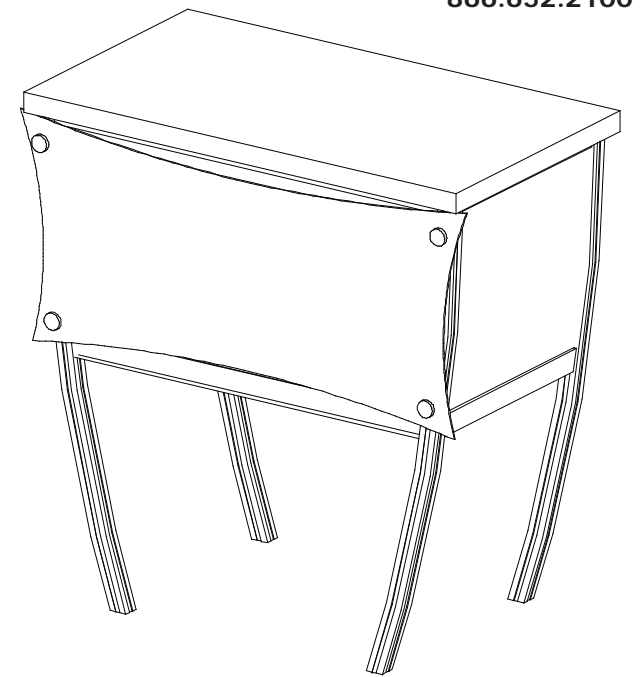
WHEN DISASSEMBLING ALUMINUM EXTRUSION, TIGHTEN ALL SETSCREWS AND LOCKS TO PREVENT LOSS DURING SHIPPING

866.652.2100

Part Number	Qty for Step	Description
8	4	41.9257" h Curved Vertical extrusion
9	2	16" Horizontal extrusion
10	2	37.462" Horizontal extrusion w/ support for internal shelf
11	2	16" Horizontal extrusion
12	2	40" Horizontal extrusion

Steps

- 1) Connect horizontal extrusions [9 and 10] between vertical extrusions [8].
- 2) Set internal shelf into place.
- 3) Slide front and side inserts into place as indicated.
- 4) Connect horizontal extrusions [11 and 12] between vertical extrusions [8] and atop inserts.
- 5) Attach plex piece to assembled pedestal using Screw Caps as shown.
- 6) Place counter atop assembled pedestal.



WHEN DISASSEMBLING ALUMINUM EXTRUSION, TIGHTEN ALL SETSCREWS AND LOCKS TO PREVENT LOSS DURING SHIPPING